

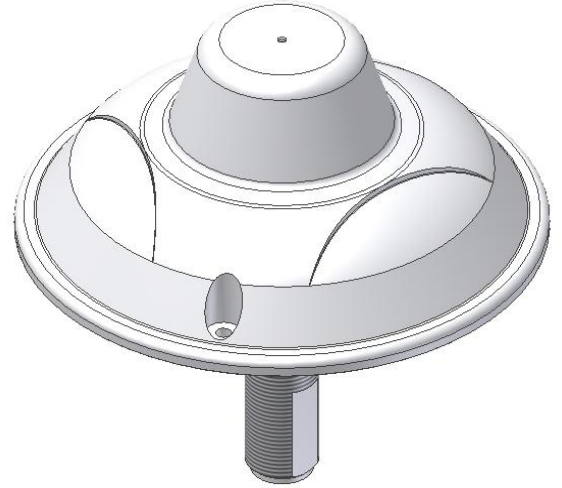
WIFI Omni Antenna

2400 ~ 2500 MHz / 3 dBi

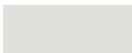
WF-NDT-03

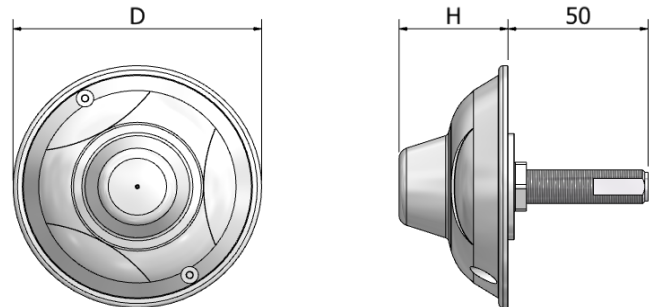
i. Electrical Specification

Frequency Range	2400 ~ 2500 MHz	
Polarization	Vertical	
Band Width	100 MHz	
Gain	≥ 3 dBi	
Beam width	Horizontal	-
	Vertical	≥ 50 °
F-B ratio	-	
VSWR	≤ 1 : 1.5	
Impedance	50 Ω	
IMD (2x20W)	≤ -140dBc at 3rd	
Maximum input power	50 W	

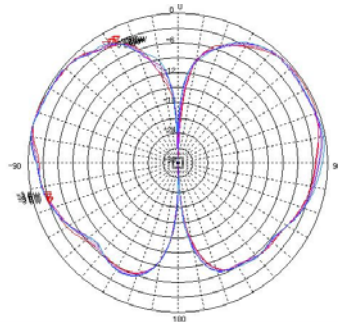


ii. Mechanical Specification

Radom Dimension (D x H)	Ø114 × 50 mm
Weight	900 g
Connector Type	N-J (Female)
Withstand Wind Pressure	-
Radome Material	ABS
Radome Color	 Cool Gray 1C
Temperature	-40 °C ~ 70 °C
Packing Size (H x W x D) 50SET	-
Packing Weight 50SET	-



iii. Radiation Pattern



Vertical Pattern